

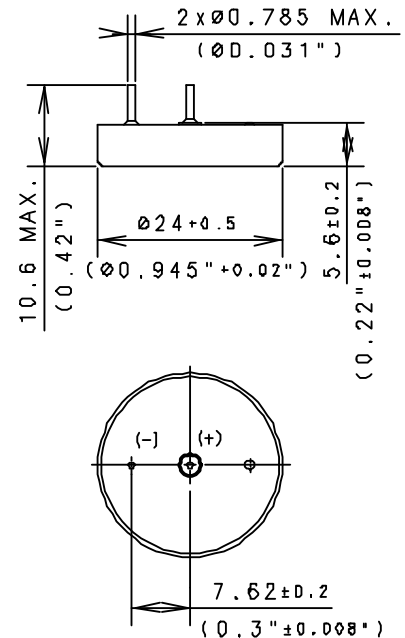
MODEL TL-2450X

TECHNICAL DATA

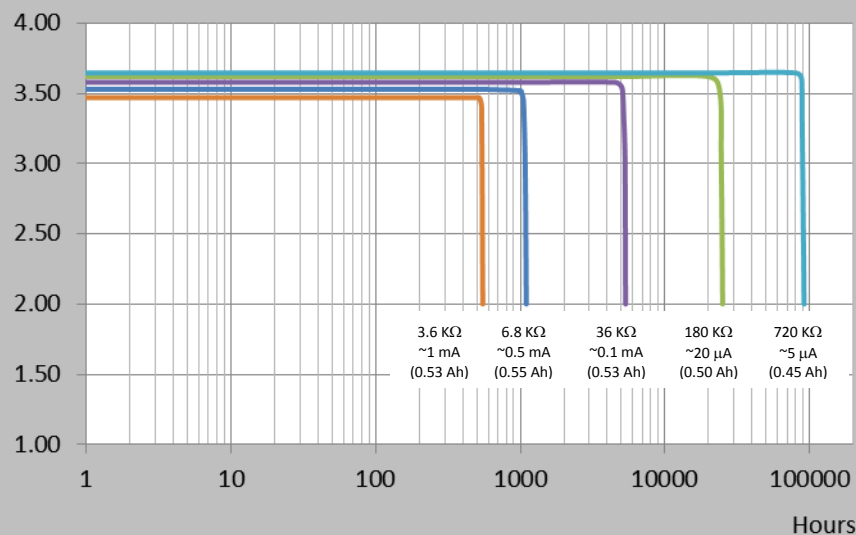
(Typical values @+25 °C for batteries stored for one year or less)

■ Nominal capacity @ 0.5 mA, to 2 V	0.55 Ah
■ Rated voltage	3.6 V
■ Maximum recommended continuous current	5 mA
■ Maximum pulse current capability	10 mA
■ Weight	8.8 g (0.310 oz)
■ Volume	2.60 cc
■ Operating temperature range	-55 °C to +85 °C

TADIRAN LITHIUM BATTERIES



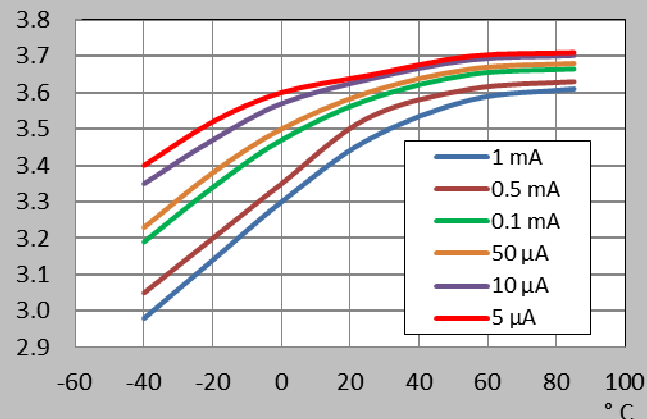
Volts Discharge Characteristics @+25 °C



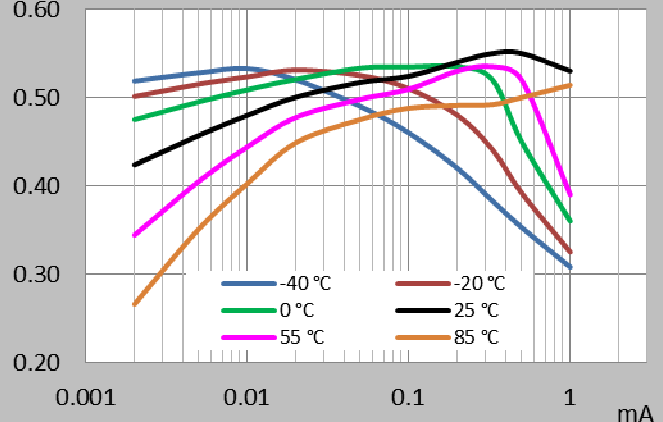
ADDITIONAL INFORMATION

SUFFIX- /P TIN PLATED NICKEL PINS
CATALOGUE NO.: 15-2450-41420

Voltage vs. Temperature



Ah Capacity vs. Current



XOL – Extended Operating Life

Note: Any presentations in this data sheet concerning performance are for information purpose only and are not construed as warranties either expressed or implied, of future performance. ECN 1503175 Rev. A 09/15