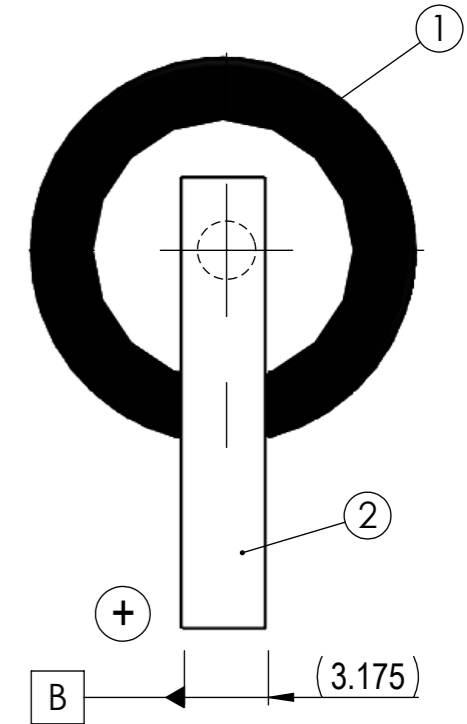
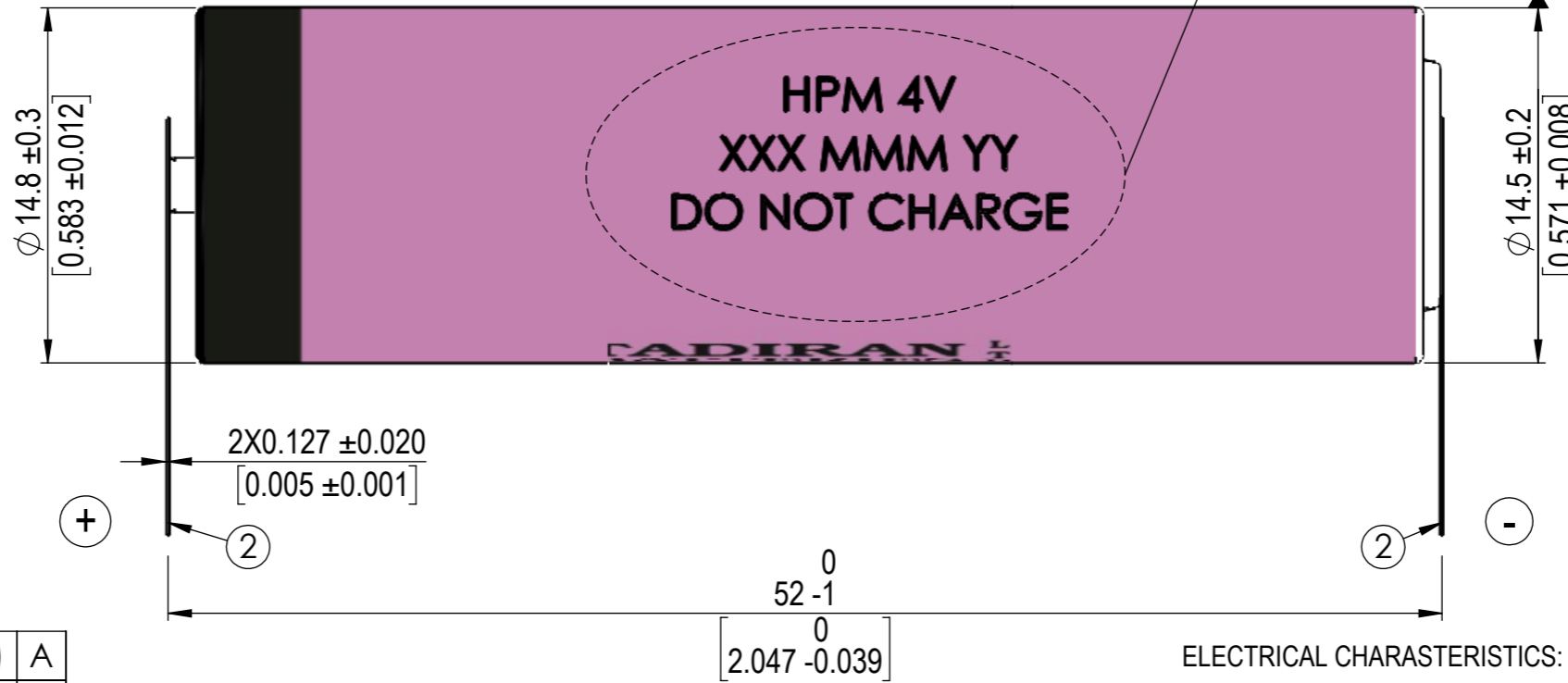
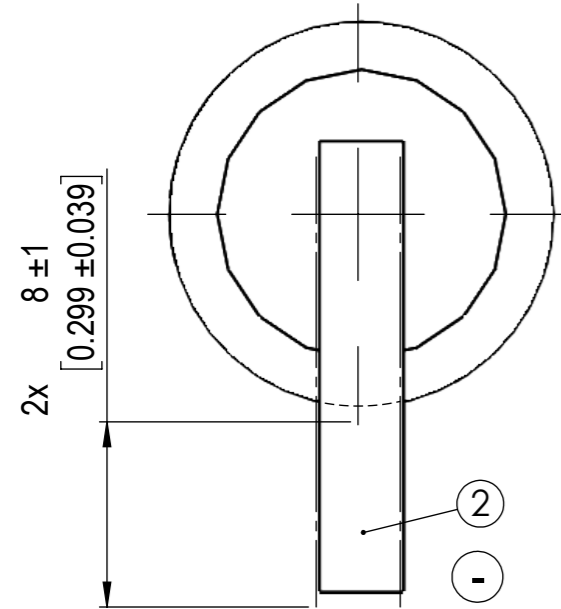


WARNING!
 ALL THE INFORMATION CONTAINED IN THIS DOCUMENT OR DISCLOSED BY IT IS THE PROPERTY OF TADIRAN BATTERIES LTD. AND MAY NOT BE USED WITHOUT ITS WRITTEN AUTHORIZATION.

LEGEND

HPM - MODEL
 4V - NOMINAL VOLTAGE
 XXX - BATCH CODE
 MM - YY - PRODUCTION DATE

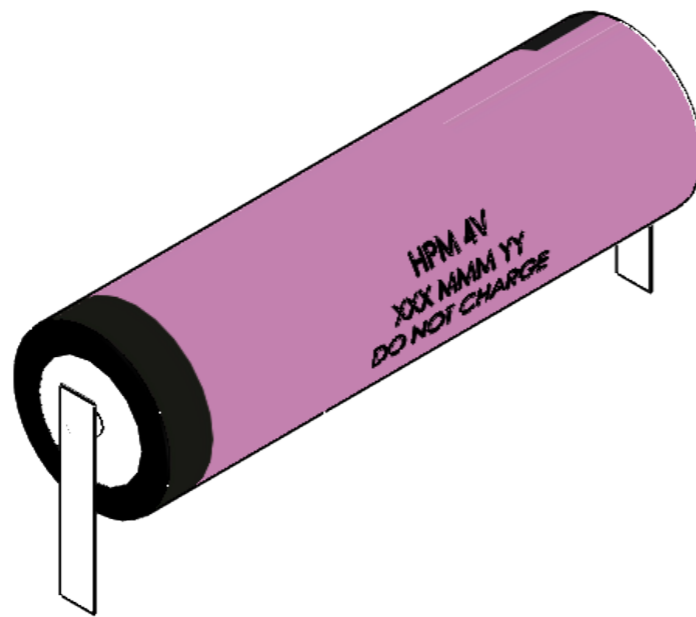
REV.	DESCRIPTION	E.C.N.	DATE	DRAWN	CHECKED
A	NEW DRAWING	6102829	16/03/2016	PETER	EITAN
B	MAX. DISCHARGE CURRENT CHANGED TO 5A	6103136	13/02/2017	PETER	EITAN
C	SHRINKABLE SLEEVE CHANGED	6103297	25/09/2017	PETER	EITAN
D	PRINTING "TLM" REMOVED	6103461	09/05/2018	PETER	EITAN



\equiv	0.2(0.008")	A
$//$	0.2(0.008")	B

ELECTRICAL CHARACTERISTICS:

- | | |
|---|------------------|
| 1) OPEN CIRCUIT VOLTAGE: | 3.95V TO 4.07 |
| 2) CLOSED CIRCUIT VOLTAGE @0.1SEC 0.5A: | 3.88V MIN. |
| 3) DISCHARGE CAPACITY TO 2.8V @20mA: | 500mAh |
| 4) DISCHARGE CAPACITY TO 2.8V @500mA: | 430mAh |
| 5) MAX. DISCHARGE CURRENT FOR 1SEC PULSE TO 2.6V: | 5A |
| 3) OPERATING VOLTAGE: | -40 °C TO +85 °C |
| 4) WEIGHT MAXIMUM: | 20gr |



2	61000012007				2	
1	72155322020	TLM-1550HPM		PC	1	
	PART NUMBER	NAME	DESCRIPTION	U/M	QT	NOTES

UNLESS OTHERWISE SPECIFIED:		TLM-1550HPM/T BATTERY P/N:72155322150			
ALL DIMENSIONS ARE IN MM.					
TOLERANCES: LINEAR: ± 0.5 ANGLES: $\pm 1^\circ$					
ROUGHNESS: \checkmark (\checkmark)					
SCALE: NON		PROD/PROJ:			
				OPERATION	
				DRAWN Peter Faigenboim 28/02/2016	
				DESIGNED Peter Faigenboim 28/02/2016	
				CHECKED Eitan Pinhasi 28/02/2016	
				APPROVED Eitan Pinhasi 28/02/2016	
				SHEET/OF 01/01	
				72155322151	