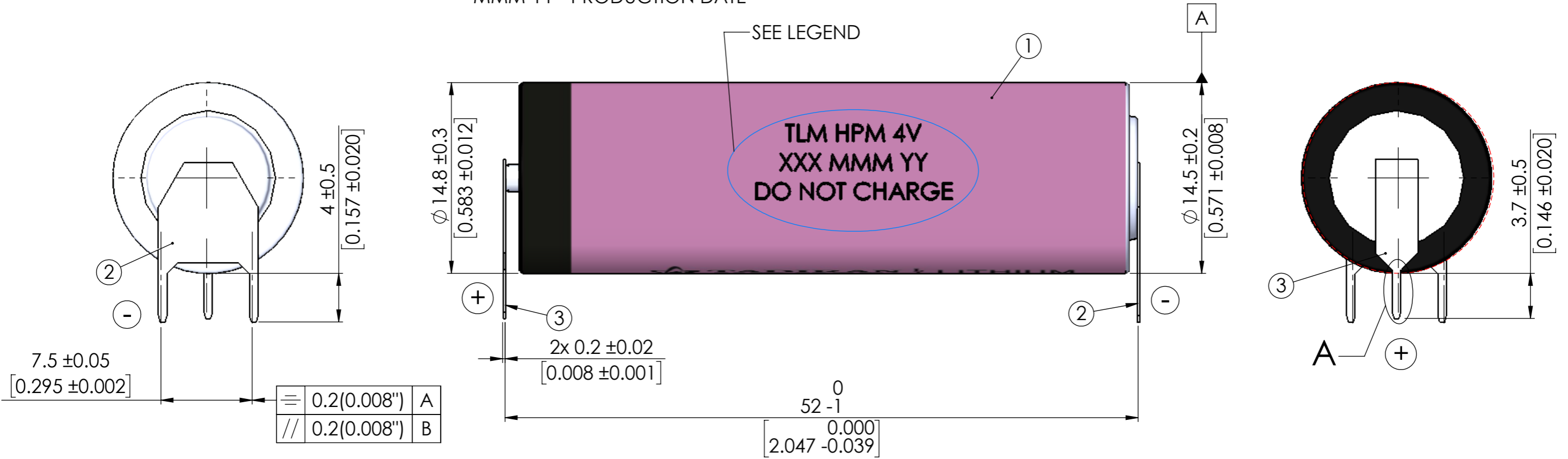


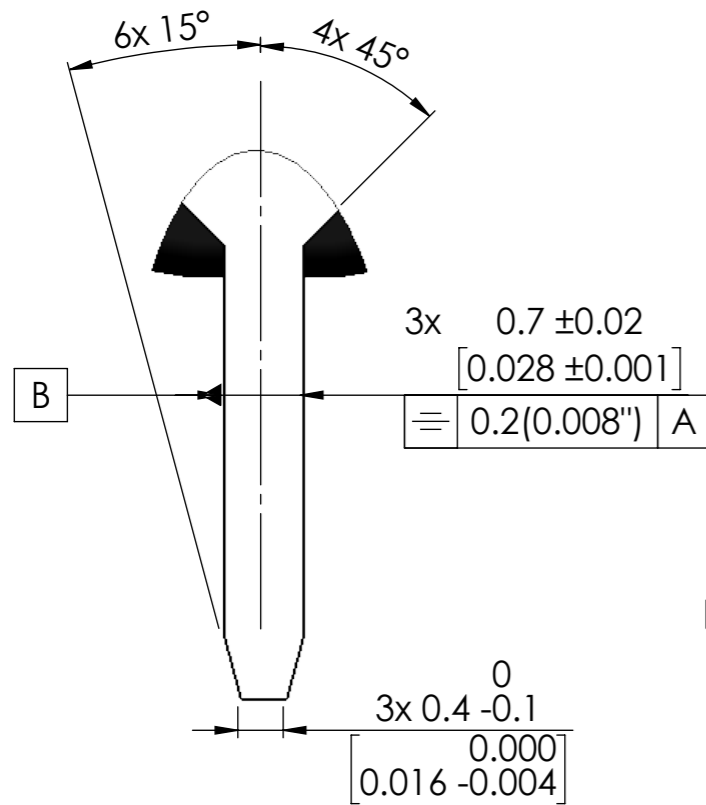
**WARNING!**  
 ALL THE INFORMATION CONTAINED IN THIS DOCUMENT OR DISCLOSED BY IT IS THE PROPERTY OF TADIRAN BATTERIES LTD. AND MAY NOT BE USED WITHOUT ITS WRITTEN AUTHORIZATION.

REV.	DESCRIPTION	E.C.N.	DATE	DRAWN	CHECKED
A	NEW DRAWING	6103040	09/10/2016	PETER	EITAN

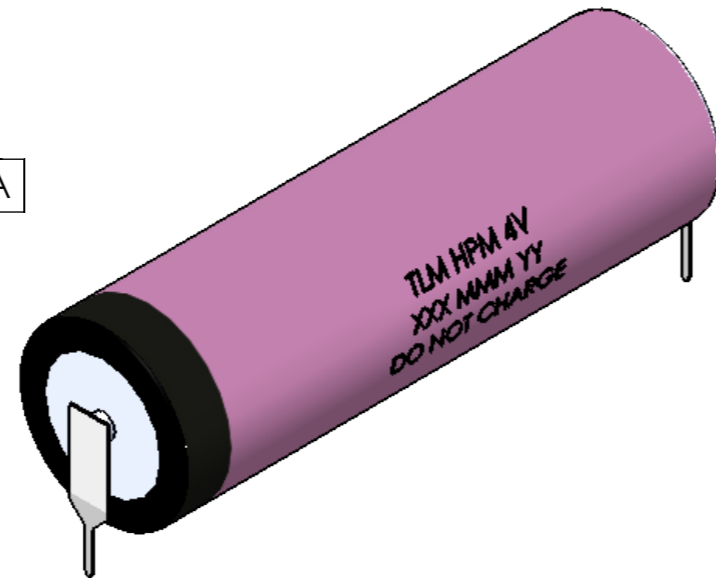
**LEGEND:**  
 TLM HPM - CELL MODEL  
 4V - NOMINAL VOLTAGE  
 XXX - BATCH CODE  
 MMM-YY - PRODUCTION DATE



≡	0.2(0.008")	A
//	0.2(0.008")	B



DETAIL A  
 SCALE 15:1



ELECTRICAL CHARACTERISTICS:  
 1) NOMINAL VOLTAGE: 4V

PART NUMBER	NAME	DESCRIPTION	U/M	QTY	NOTES
3	15510231196	POLARIZED TAB SINGLE TIP	PC	1	
2	15510231195	POLARIZED TAB TWIN TIP	PC	1	
1	72155322020	TLM-1550HPM	PC	1	

UNLESS OTHERWISE SPECIFIED:		<b>TLM-1550HPM/TP</b> <b>BATTERY</b> P/N : 72155332000		OPERATION	
ALL DIMENSIONS ARE IN MM.				DRAWN Peter Faigenboim 09/10/2016	
TOLERANCES: LINEAR: ±0.5 ANGLES: ±1°				DESIGNED Peter Faigenboim 09/10/2016	
ROUGHNESS: 				CHECKED Eitan Pinhasi 09/10/2016	
SCALE: NON		PROD/PROJ: .		APPROVED Eitan Pinhasi 09/10/2016	
		<b>TADIRAN</b> <b>BATTERIES</b>		SHEET/OF	
				01/01	
72155332001					